



The pump is a self-priming surface mounted pressure system pump supplied with plug and play leads (IEC type). The self-priming ability provides excellent suction capacity of up to 9m. Used especially for supplying water to domestic installations.

**The pump is characterised by:**

- Automatic electronic pump control fitted and wired with plug and play leads so a licensed electrician is not required during installation.
- Includes fully electronic pump controller for automatic pump starting, stopping and restart after power loss and water loss.
- Run dry protection to prevent pump damage
- Automatic electronic control has in-built check valve to prevent water backflow through the pump.
- 2.2bar pump cut in for greater versatility.
- Corrosion resistant pump body, diffuser and impeller to ensure pump durability
- High quality mechanical shaft seal and high quality bearings
- 240V single phase TEFC motor with in-built auto reset thermal overload to prevent the pump from overheating.

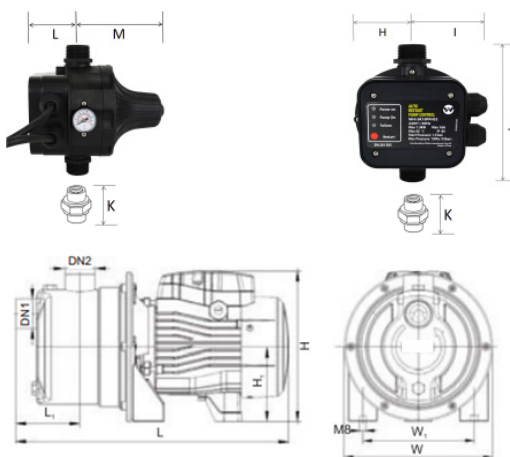
**Applications**

- Used especially for supplying water to domestic installations and applications where a suction lift is required.

**Package Information**

- 11.5 kg
- L 420mm x W 230mm x H 460mm

Liquid:	Electrical data:
Liquid Type: Clean Water Clean water temperature range: 2 – 40oC	Rated voltage: 220 (-6%) -240V (+6%) Mains frequency: 50 Hz P2 (kW): 0.6 (Shaft Power) Current: 4 amps Capacitor: 16 uF Motor duty: Continuous Motor type: Asynchronous, TEFC Motor protection: In-built thermal overload Ingress protection: IP X4 Insulation class: F Net weight: 11 kg
Materials:	Hydraulic Data:
Pump body, Impeller: Stainless Steel 304 Jet/Venturi, Diffuser :Noryl Glass Reinforced Mechanical seal: Carbon/Ceramic/Nitrile O rings: Nitrile Power Cable: 2m Cable H05 3G1.0	Max Head: <b>43m</b> Max Flow: <b>62 l/min</b> Number taps: 5
Installation:	
Maximum ambient temperature: 40oC Maximum operating pressure: 6 bar Pipe connections suction/discharge: 1" BSPF / 1" BSPM Dimensions: 420mm L x 460mm H x 230mm W	



DN1	DN2	A (mm)	B (mm)	C (mm)	D (mm)	E (mm)	F (mm)
1"	1"	376	200	214	88.5	140	107

H (mm)	I (mm)	J (mm)	K (mm)	L (mm)	M (mm)
64	81	177	70	62	116

**BIA-INOX60S2MPCX**

